

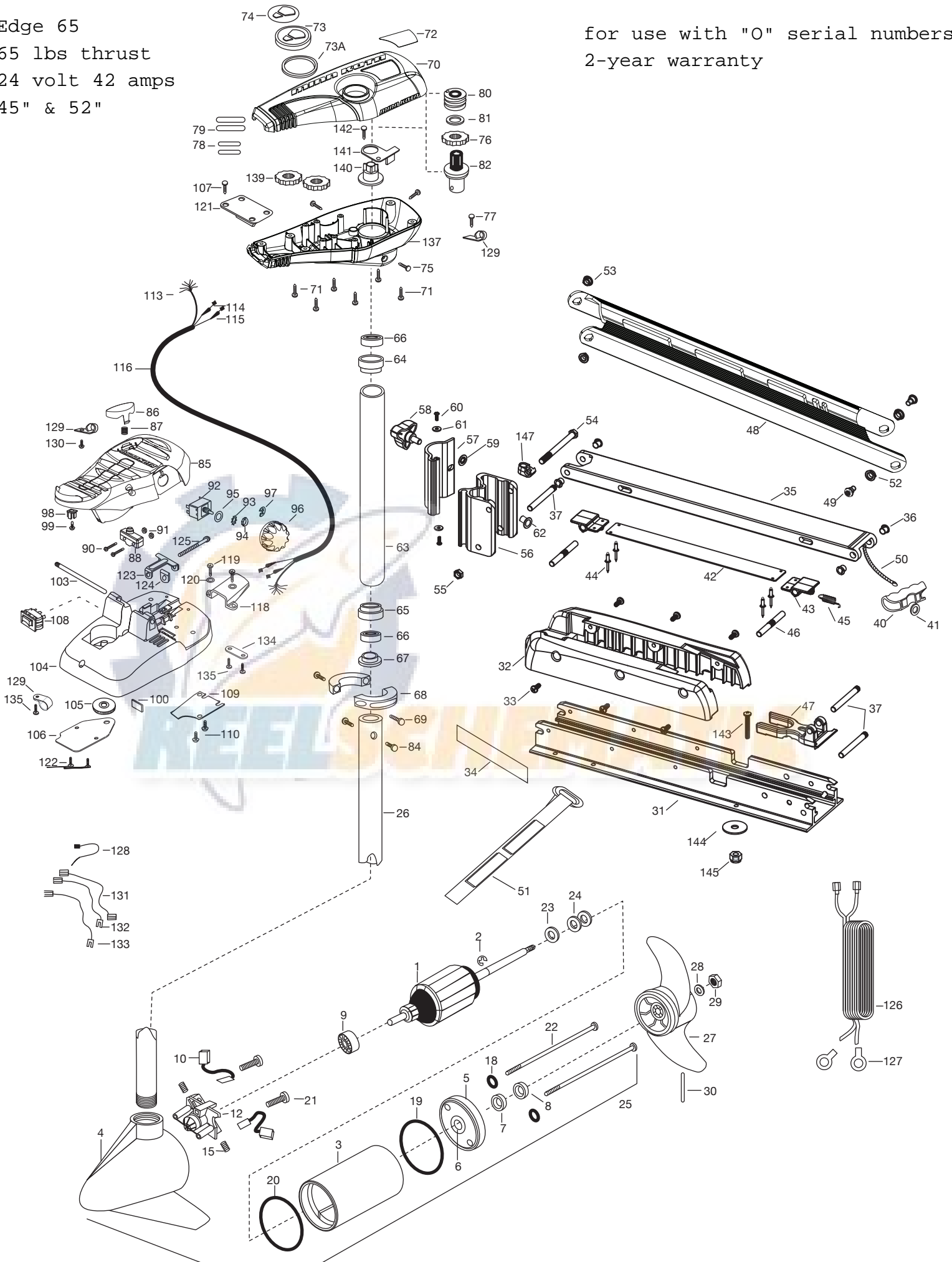
Edge 65

65 lbs thrust

24 volt 42 amps

45" & 52"

for use with "0" serial numbers
2-year warranty



PARTS LIST

| ITEM # | QTY | PART NUMBER | DESCRIPTION |
|--------|-----|-------------|--------------------------------------|
| 1 | 1 | 2-100-119 | ARM ASSEMBLY 24 V 3.625 |
| 2 | 1 | 788-015 | RETAINING RING |
| 3 | 1 | 2-200-005 | HOUSING ASSEMBLY CENTER 3.625 TXT |
| 4 | 1 | 2-300-042 | HOUSING-ASSEMBLY BRUSH END 3.625 45" |
| 5 | 1 | 2-400-101 | PLAIN END HOUSING ASSEMBLY |
| 6 | 1 | 144-049 | BEARING-FLANGE [SERVICE ONLY] |
| 7 | 1 | 880-003 | SEAL |
| 8 | 1 | 880-006 | SEAL WITH SHIELD |
| 9 | 1 | 140-010 | BEARING -BALL |
| 10 | 2 | 188-037 | BRUSH ASSEMBLY |
| 12 | 1 | 738-036 | BRUSH PLATE W/HOLDER 3.625 |
| 15 | 2 | 975-040 | SPRING- TORSION |
| 18 | 2 | 701-008 | O-RING |
| 19 | 1 | 337-036 | GASKET |
| 20 | 1 | 701-081 | O-RING |
| 21 | 2 | 830-007 | SCREW- SELF-THREAD 8-32X1.7 |
| 22 | 2 | 830-008 | THRU BOLT 10-32 X 9.205 |
| 23 | 1 | 990-067 | WASHER- STEEL THRUST |
| 24 | 2 | 990-070 | WASHER- NYLATRON |
| 25 | 1 | 2096035 | MTR ASSEMBLY 24V 3.625 5SPD 45" |
| 26 | 1 | 2032061 | TUBE (COMP)W/CSK HOLE 45" |
| ■ | 1 | 1378131 | PROPELLER KIT |
| 27 | 1 | 2091160 | PROPELLER W/WEDGE 2 |
| 28 | 1 | 2151726 | WASHER- 5/16 SS |
| 29 | 1 | 2053101 | NUT-PROP NYLOC |
| 30 | 1 | 2092600 | PIN-DRIVE SS |
| ■ | 1 | 2266502 | BOWPLATE, FW, STD, 45" |
| 32 | 1 | 2263905 | MOTOR REST, BLK. |
| 33 | 6 | 2303430 | SCREW 1/4-20 X 5/8 |
| 34 | 2 | 2265667 | MOTOR REST DECAL, FW |
| ■ | 1 | 2991717 | MOUNT, ASSEMBLY LONG FW |
| ■ | 1 | 2991716 | MOUNT, ASSEMBLY SHORT FW |
| 35 | 1 | 2264346 | LOWER ARM, FW, LONG |
| ■ | 1 | 2264341 | LOWER ARM, FW, STD. |
| 36 | 4 | 2266002 | NYLINER 3/8" SHAFT |
| 37 | 3 | 2260503 | PIVOT PIN |
| 40 | 1 | 2150400 | PULL-GRIP |
| 41 | 1 | 2151700 | WASHER-EYE SHAFT .562 OD |
| ■ | 1 | 2993811 | LATCH STRAP ASSEMBLY, STD, 45" |

| ITEM # | QTY | PART NUMBER | DESCRIPTION |
|--------|-----|-------------|----------------------------------|
| 42 | 1 | 2263605 | LATCH STRAP, STD, 45" |
| 43 | 2 | 2261902 | BRACKET-LATCH |
| 44 | 4 | 2268602 | RIVET 1/8" SS |
| 45 | 1 | 2262709 | SPRING-LATCH PIN |
| 46 | 2 | 2260501 | LATCH PIN |
| 47 | 1 | 2261544 | YOKE-TUBE |
| 48 | 1 | 2264272 | ARM-UPPER, LONG FW |
| | 1 | 2264271 | ARM-UPPER, SHORT FW |
| 49 | 2 | 2263510 | BOLT-SHOULDER, SS |
| 50 | 1 | 2251601 | ROPE- 44.5" (36"/45" MODELS) |
| | 1 | 2251603 | ROPE-48" (52" MODEL) |
| 51 | 1 | 2263805 | VELCRO STRAP |
| 52 | 1 | 2267302 | BUSHING-LOWER 7/16" ID, SS |
| 53 | 1 | 2267303 | BUSING-UPPER 3/8" ID, SS |
| 54 | 1 | 2263505 | BOLT 3/8-16 X 4.25" |
| 55 | 1 | 2263114 | NUT-NYLOCK JAM 3/8-16 |
| 56 | 1 | 2261872 | HINGE BASE, FW |
| 57 | 1 | 2261877 | HING DOOR, FW |
| 58 | 1 | 2260905 | HANDLE-SOFT GRIP, L&D |
| 59 | 1 | 2261728 | WASHER-RETAINING 3/8" |
| 60 | 2 | 2053415 | SCREW #8-32 X 3/8" TRI |
| 61 | 2 | 2261732 | WASHER #8, NYLON |
| ■ | 1 | 2992012 | TUBE W/BEARING RACE ASSEMBLY 21" |
| 62 | 2 | 2264703 | INSERT - THREADED |
| 63 | 1 | 2272069 | TUBE OUTER-21" 4 HOLES |
| 64 | 1 | 2266260 | BEARING RACE |
| 65 | 1 | 2266220 | BEARING RACE-STEEL |
| 66 | 2 | 2266000 | BEARING BALL-STEEL |
| 67 | 1 | 2266115 | BEARING CONE |
| 68 | 2 | 2261622 | COLLAR HALF-ALUMINUM- |
| 69 | 2 | 2263453 | SCREW-1/4X20 X 1" SHCS SS |
| 70 | 1 | 2260215 | CONTROL BOX COVER |
| 71 | 6 | 2372100 | SCREW-8-18 X 5/8 THD |
| 72 | 1 | 2275621 | DECAL-COVER, EDGE 65/FC |
| 73 | 1 | 2260153 | POINTER DISC SHORT YELLOW |
| 73A | 1 | 2261733 | WASHER-FOAM, INDICATOR |
| 74 | 1 | 2265800 | DECAL-INDICATOR |
| 75 | 3 | 2053414 | SCREW-8-32 X 1/2 TRI LOBE |
| 76 | 1 | 2267800 | GEAR-INDICATOR |
| 77 | 1 | 2372100 | SCREW-8-18 X 5/8 THD |
| 78 | 2 | 2375400 | SHRINK TUBE-1/4OD X 1-3/4 |

PARTS LIST

| ITEM # | QTY | PART NUMBER | DESCRIPTION |
|--------|-----|-------------|----------------------------------|
| 79 | 2 | 2355410 | SHRINK TUBE-3/8 OD X 2 |
| 80 | 1 | 2232360 | PULLEY-CABLE DRUM |
| 81 | 1 | 2261730 | WASHER-NYLON A/T |
| 82 | 1 | 2996246 | BEARING RACE/ PINION ASSEMBLY |
| 84 | 2 | 2263410 | SCREW-8-32 X 5/16 ZN PL |
| 85 | 1 | 2994496 | FOOT PEDAL/PLUG ASSEMBLY AT |
| 86 | 1 | 2283700 | PUSH-BUTTON |
| 87 | 1 | 2302732 | SPRING-LOWER PEDAL SS |
| 88 | 1 | 2264040 | SWITCH MOMENTARY |
| 90 | 2 | 2262114 | SCREW-MOUNTING/SWITCH |
| 91 | 2 | 2233100 | NUT-SWITCH MOUNT |
| 92 | 1 | 2264026 | SWITCH-S SPEED |
| 93 | 1 | 2261701 | LOCKWASHER-STAR |
| 94 | 1 | 2263105 | NUT-HEX |
| 95 | 1 | 2261715 | SPACER-SWITCH 5 SP MODELS |
| 96 | 1 | 2280110 | KNOB-SPEED CONTROL 5SPD |
| 97 | 1 | 2263000 | E-RING TRU-ARC |
| 98 | 1 | 2260730 | CONNECTOR 1/4 MALE TAB |
| 99 | 1 | 2332103 | SCREW-6-20 X 3/8 |
| 100 | 1 | 2266413 | TENSION SCREW PLATE FT PEDL |
| 103 | 1 | 2260511 | PIN-PIVOT A/T FT PDL |
| 104 | 1 | 2992104 | FT PEDAL BASE/PIN ASSEMBLY SONAR |
| 105 | 1 | 2262301 | PULLEY-FOOT PEDAL |
| 106 | 1 | 2266401 | COVER-PULLEY STAMPING |
| 107 | 4 | 2223430 | SCREW-#8X 3/4 PPH TYPE 25 SS |
| 108 | 1 | 2254031 | SWITCH-MOM/OFF/COM |
| 109 | 1 | 2266412 | SWITCH PLATE, FT PEDAL |
| 110 | 2 | 2332103 | SCREW-6-20 X 3/8 THD |
| 113 | 1 | 2261208 | WIRE HARNESS, A/T FT. PED |
| 114 | 1 | 2267505 | CABLE ASSEMBLY-RIGHT 5' |
| 115 | 1 | 2267515 | CABLE ASSEMBLY-LEFT 5' |
| 116 | 1 | 2265430 | CABLE JACKET 5' |
| 118 | 1 | 2265115 | BOOT-FOOT PEDAL BASE |
| 119 | 2 | 2372100 | SCREW-8-18 X 5/8 THD |
| 120 | 2 | 2261714 | WASHER-MAXXUM FT PDL |
| 121 | 1 | 2261901 | BRACKET-CONDUIT AT/MAX |
| 122 | 4 | 2223430 | SCREW-8-18 X 3/4" |
| 123 | 1 | 2263210 | BRACKET- CONDUIT ADJUSTMENT |
| 124 | 1 | 2263104 | NYLOCK KEEPER |
| 125 | 1 | 2263466 | SCREW-1/4-20 X 2 STL PPH |
| 126 | 1 | 2261235 | LEADWIRE-BATTERY |
| 127 | 2 | 2020700 | TERMINAL RING, 3/8" |
| 128 | 1 | 2256300 | TIE WRAP-5.5" BLACK |
| 129 | 3 | 2263201 | CLAMP WIRE HARNESS MICRO |

| ITEM # | QTY | PART NUMBER | DESCRIPTION |
|--------|-----|-------------|------------------------------|
| 130 | 1 | 2332103 | SCREW-6-20 X 3/8 THD |
| 131 | 1 | 2260301 | CONNECTING WIRE -SWITCH |
| 132 | 1 | 2260312 | WIRE,BLK W/SHT- 19 1/2 |
| 133 | 1 | 2260322 | WIRE,BLK W/BLUE -12" |
| 134 | 1 | 2263205 | LEADWIRE CLAMP |
| 135 | 1 | 9953104 | SCREW-8 X 1/2" SS |
| 137 | 1 | 2262515 | CONTROL BOX BOTTOM |
| 139 | 2 | 2267800 | GEAR-INDICATOR |
| 140 | 1 | 2262221 | INDICATOR-DRIVE (YELLOW) |
| 141 | 1 | 2261905 | BRACKET/INDICATOR |
| 142 | 1 | 2223430 | SCREW-#8X 3/4 PPH TYPE 25 SS |
| ■ | 1 | 2994838 | BAG ASSEMBLY |
| *143 | 6 | 2263462 | SCREW 1/4-20X2 SS |
| *144 | 6 | 2261713 | WASHER-1/4 FLAT 18-18 |
| *145 | 6 | 2263103 | NUT- 1/4-20 NYLOCK-JAM |
| 147 | 1 | 2262310 | GUIDE ROPE |
| ■ | 1 | 2888460 | SEAL & ORING KIT |



*THIS ITEM IS PART OF AN ASSEMBLY. THIS ITEM CANNOT BE SOLD SEPARATELY DUE TO MACHINING AND/OR ASSEMBLY THAT IS REQUIRED

Edge 65 is 24-volt only!

